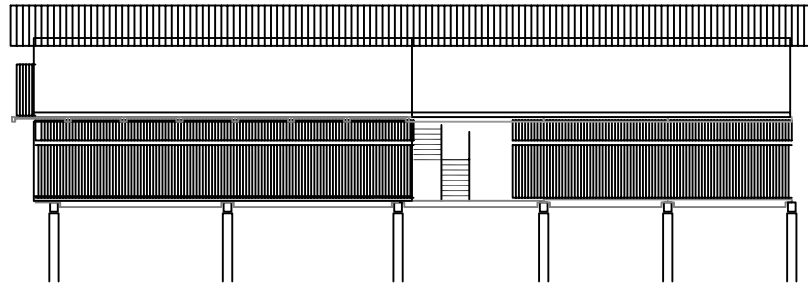
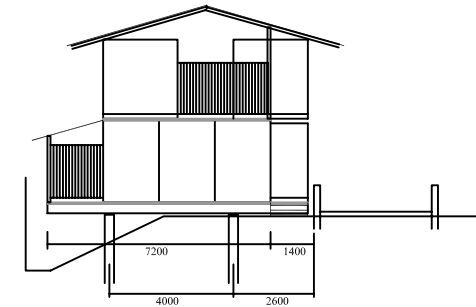


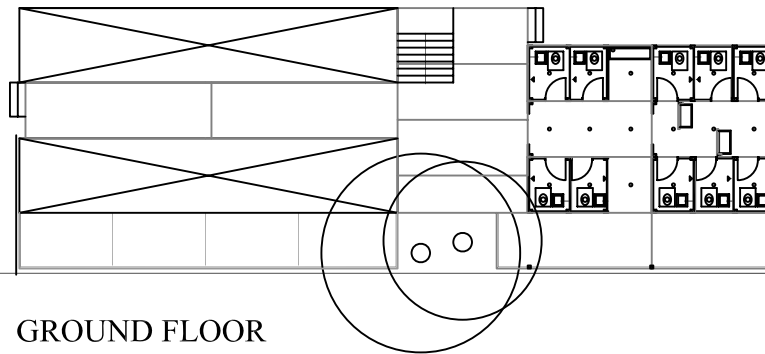
END ELEVATION



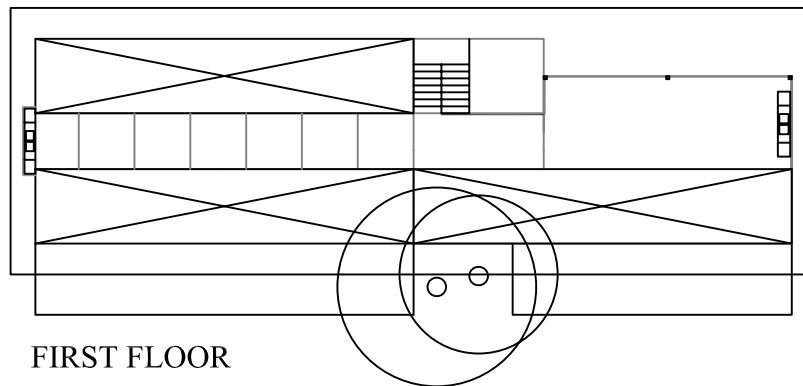
REAR ELEVATION



END ELEVATION



GROUND FLOOR



FIRST FLOOR

PROPOSED
WORKERS
HOUSING

9052