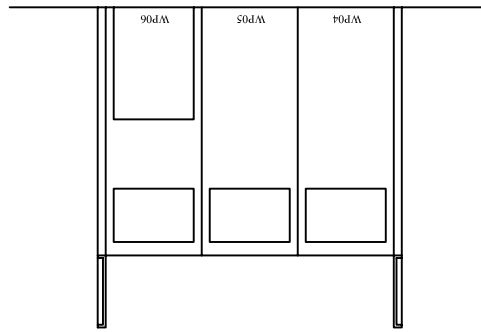
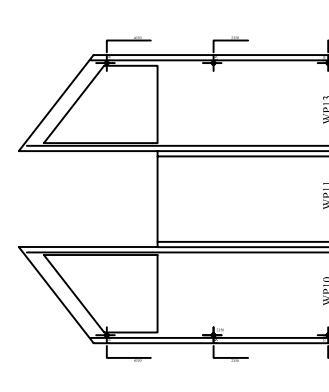
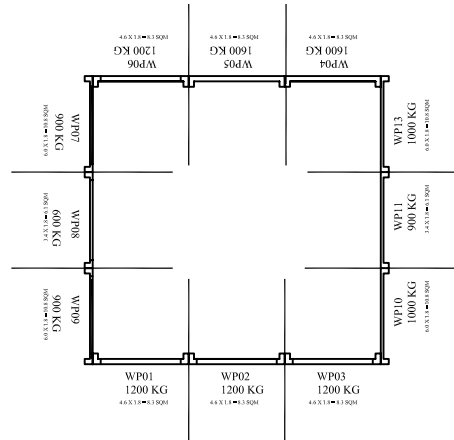
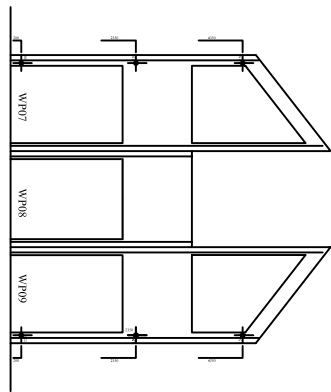
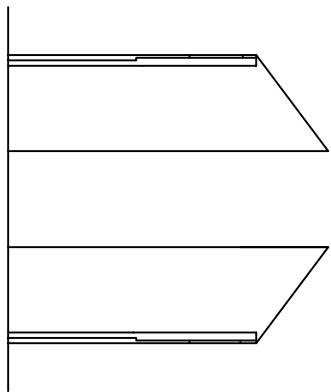


PRECAST FIXINGS



TRUCK 1

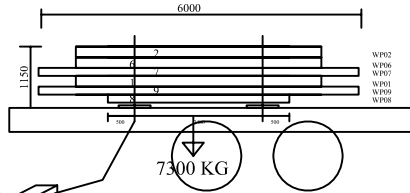
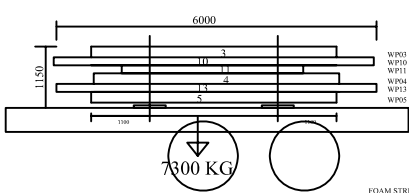
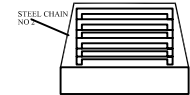
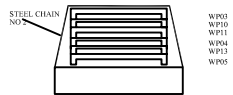
- 1 WP03
- 2 WP10
- 3 WP11
- 4 WP04
- 5 WP13
- 6 WP05



TRUCK 2

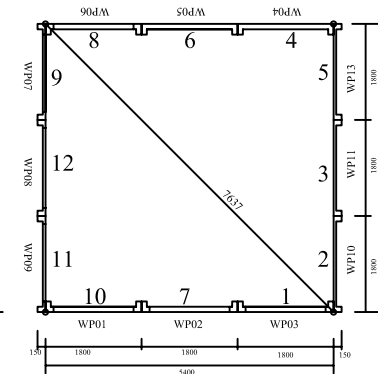
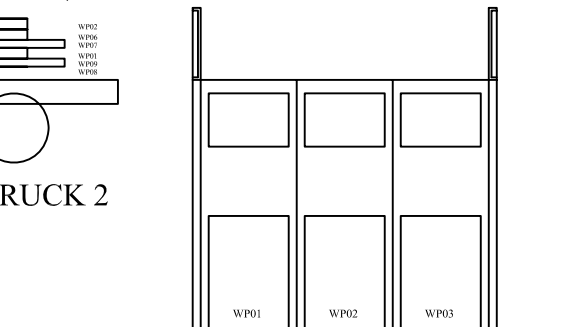
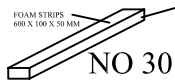
- 7 WP02
- 8 WP06
- 9 WP07
- 10 WP01
- 11 WP09
- 12 WP08

TOTAL PANEL WEIGHT = 13300 KG
 AREA = 5.7 X 5.5 = 30.8 SQM
 LOAD ON FLOOR = 13300/30.8 = 432 KG / SQM
 ALLOWABLE LOAD = 200 KG / SQM



TRUCK 1

TRUCK 2



TRADE
 DISPLAY
 SHELL

9038B